

Dynapac CC1100C Plus

Combi rollers

Atlas Copco



Technical data



Masses

Max. operating mass	5,400 lbs
Operating mass (incl. ROPS)	5,100 lbs
Module mass (front/rear)	2,500 lbs/2,600 lbs



Propulsion

Speed range	0-6 mph
Theor. gradeability	68 %



Compaction

Wheel load	639 (lbs/wheel)
Tire type (smooth)	640x240-15
Centrifugal force	6,500 lb
Nominal amplitude	0.020 in
Static linear load	59 lbs/in
Vibration frequency	3,780 vpm
Water tank	42 gal
Emulsion tank	8 gal



Engine

Manufacturer/Model	Kubota D1703-M (T4i)
Type	Water cooled
Rated power, SAE J1995	35 hp @ 2,800 rpm
Fuel tank capacity	13 gal



Hydraulic system

Driving	Axial piston pump with variable displacement. Radial piston motors (3) with constant displacement.
Vibration	Gear pump/motors with constant displacement.
Steering	Gear pump with constant displacement.
Service brake	Hydrostatic in forward and reverse lever.
Parking/Emergency brake	Failsafe multidisc on drum and wheel motors.

Find us locally at www.atlascopco.com

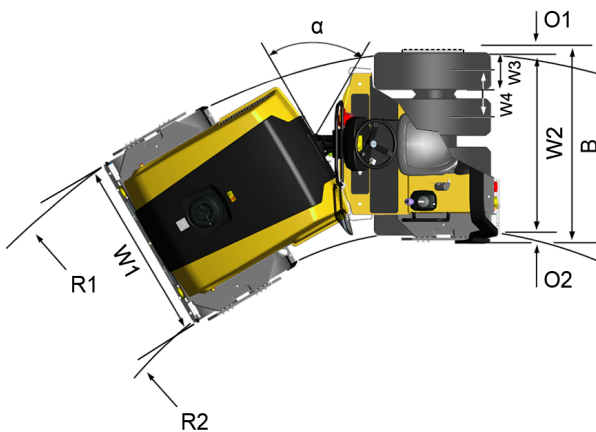
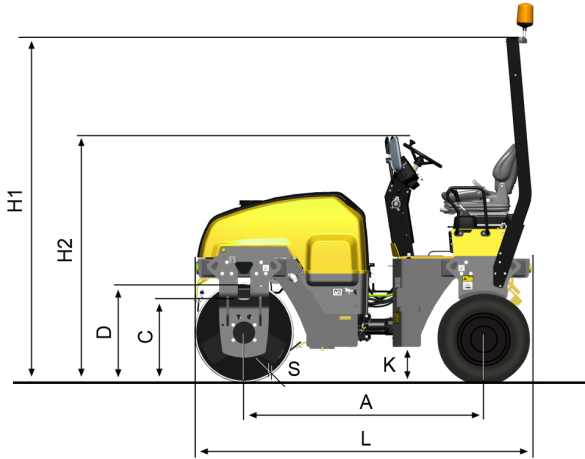
We reserve the right to change specifications without notice. Photos and illustrations do not always show standard versions of machines. The above information is a general description only, all informations are supplied without liability.

Dynapac CC1100C Plus

Combi rollers

Atlas Copco

Technical data



Dimensions	
A. Wheelbase	68 in
C. Curb clearance	22 in
D. Drum diameter	27 in
H1. Height, with ROPS	104 in
H2. Height, w/o ROPS/cab	69 in
K. Ground clearance	7 in
L. Length	94 in
O1. Overhang, right	2 in
O2. Overhang, left	2 in
R1. Turning radius, outside	12 ft
R2. Turning radius, inside	9 ft
S. Drum shell thickness	0.5 in
W1. Drum width	42 in
W2. Width, wheel module	41.34 in
W3. Width, tyre	9.06 in
W4. Wheel track	9.25 in
α. Steering angle	±30°

Equipment package		
CC Plus Package	Included	Optional
Backup alarm	■	
Brake release	■	
CE sign	■	
Driving lights, right or left handed		■
Dual arm rest	■	
Dual forward/reverse control	■	
Dual frequency		■
Flow divider		■
Foldable ROPS incl. 3" seatbelt	■	
Rotating beacon	■	
Slideable comfort seat	■	
Slideable lux seat		■
Spring loaded scrapers	■	
Sprinkler timer	■	
Vibr. shut off, front and rear drum	■	
Working lights	■	

Find us locally at www.atlascopco.com

We reserve the right to change specifications without notice. Photos and illustrations do not always show standard versions of machines. The above information is a general description only, all informations are supplied without liability.