

Dynapac CC950


Double drum vibratory rollers


Atlas Copco





Product image for illustration purposes only. Actual product may vary.


Technical data

 Masses	
Max. operating mass	1,400 kg
Operating mass (incl. ROPS)	1,350 kg
Module mass (front/rear)	645 kg/705 kg

 Traction	
Speed range (Dual/TC/AS)	0-8 km/h
Vertical oscillation	±13°
Theor. gradeability	35 %

 Compaction	
Centrifugal force	16.7 kN
Nominal amplitude	0.4 mm
Static linear load (front/rear)	7.1 kg/cm/7.8 kg/cm
Vibration frequency	70 Hz
Water tank	190 l

 Engine	
Manufacturer/Model	Kubota D722-E4B
Type	Vertical, water-cooled, 4-cycle IDI diesel engine
Rated power, SAE J1995	14.9 kW (20.3 hp) @ 3,600 rpm
Fuel tank capacity	23 l

 Hydraulic system	
Driving	Axial piston pump with variable displacement. 2 radial piston motors with constant displacement.
Vibration	Gear pump/motors with constant displacement.
Steering	Gear pump with constant displacement.
Service brake	Hydrostatic in forward and reverse lever.
Parking/ Emergency brake	Failsafe brake in both drums.

Find us locally at www.atlascopco.com

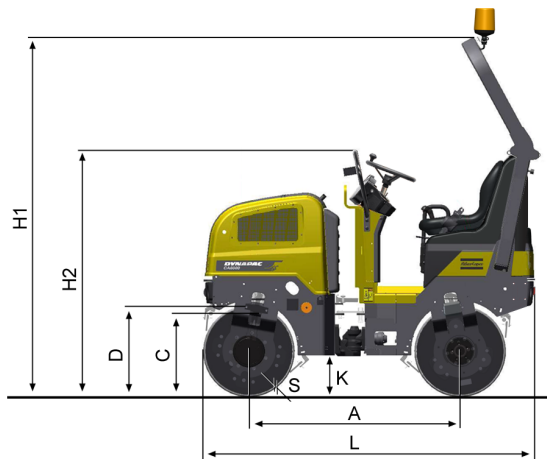
We reserve the right to change specifications without notice. Photos and illustrations do not always show standard versions of machines. The above information is a general description only, all informations are supplied without liability.

Dynapac CC950

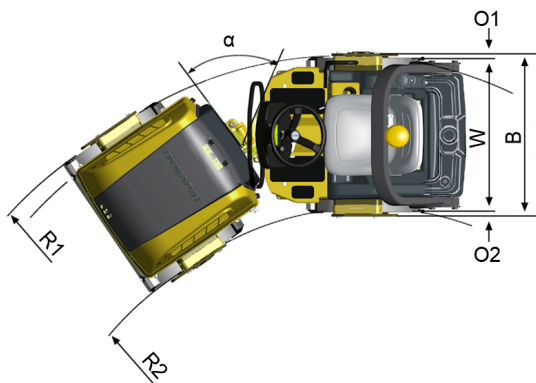
Double drum vibratory rollers

Atlas Copco

Technical data



Dimensions	
A. Wheelbase	1,350 mm
B. Width	970 mm
C. Curb clearance	465 mm
D. Drum diameter	584 mm
H1. Height, with ROPS/cab	2,300 mm
H2. Height, w/o ROPS/cab	1,585 mm
K. Ground clearance	261 mm
L. Length	2,107 mm
L1. Length	2,107 mm
O1. Overhang, right	35 mm
O2. Overhang, left	35 mm
R1. Turning radius, outside	2,700 mm
R2. Turning radius, inside	1,800 mm
S. Drum shell thickness	9 mm
W. Drum width	900 mm
α . Steering angle	$\pm 34^\circ$



Find us locally at www.atlascopco.com

We reserve the right to change specifications without notice. Photos and illustrations do not always show standard versions of machines. The above information is a general description only, all informations are supplied without liability.